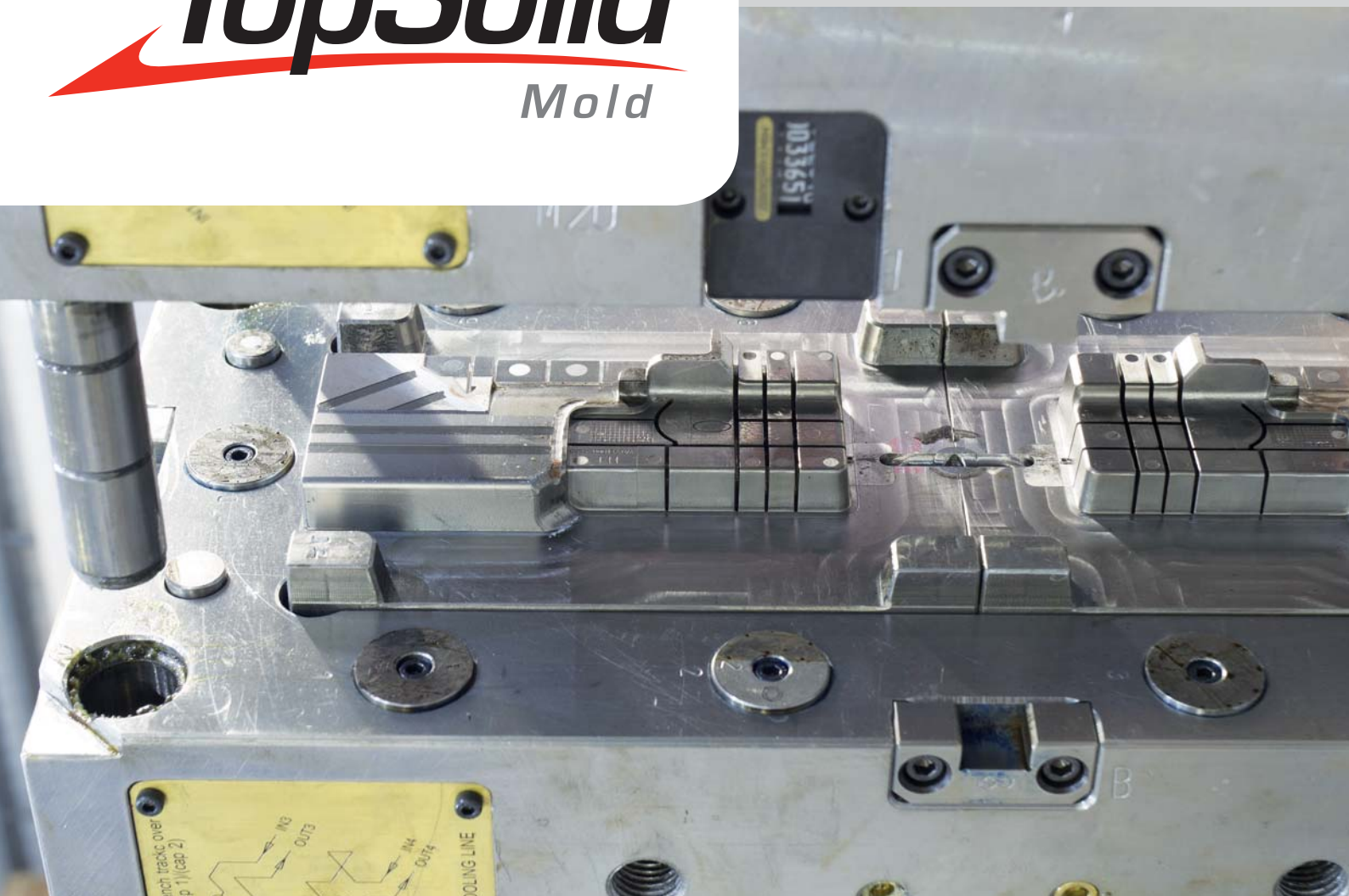


# TopSolid

Mold



## TopSolid'Mold 7.9: a CAD revolution for tools

- 20 years of specialized experience in CAD for toolmakers
- Creation of cavity blocks in no time
- Library of standard mold bases
- Management of multi-cavity mold bases
- Quick and intuitive regulation circuits
- Library of standard components (ejectors, plugs, columns, etc.)
- Your supply channels in 3D
- Automatic drafting according to toolmaker standards

MASTER YOUR  
MANUFACTURING PROCESS

# TopSolid'Mold 7.9: a CAD revolution for tools

TopSolid'Mold, which is dedicated to the design of molds, optimizes every phase of the development of tools, from the retrieval of the part to be molded, to the production of the detailed drawings of the tool.

## User Interface

- > Icon bar dedicated to viewing tools
- > Breakdown into categories
- > Injection, ejection, mold base
- > Supply, regulation, components, movements

## Root faces

- > Automatic sizing according to the added block
- > Management of finishing operations (fillets/chamfers)

## Mold bases

- > Wizard for the definition of mold bases using imported models
- > Standard mold bases that can be modified by the user

## Movement

- > Automatic positioning of the angular pins
- > Calculation and adjustment of the pin for a given travel (cut pin and/or change to the angle)
- > Automated process in the slide, with management of tolerances

## Regulation

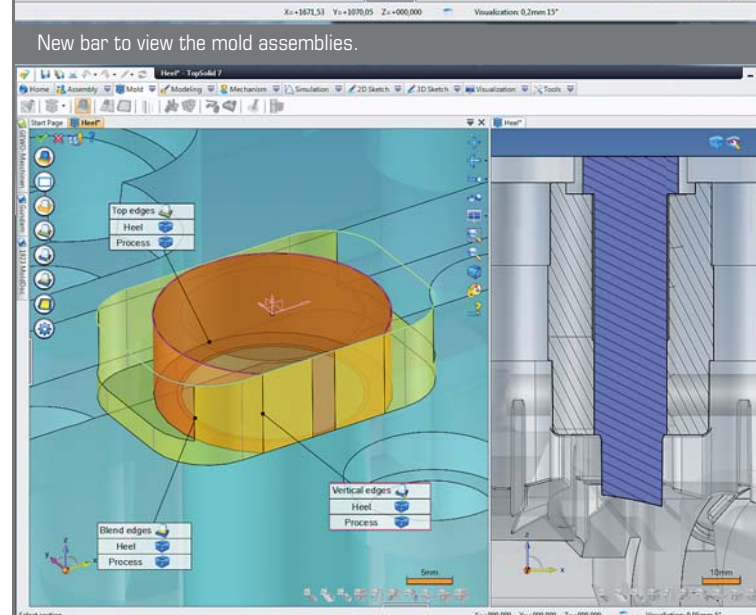
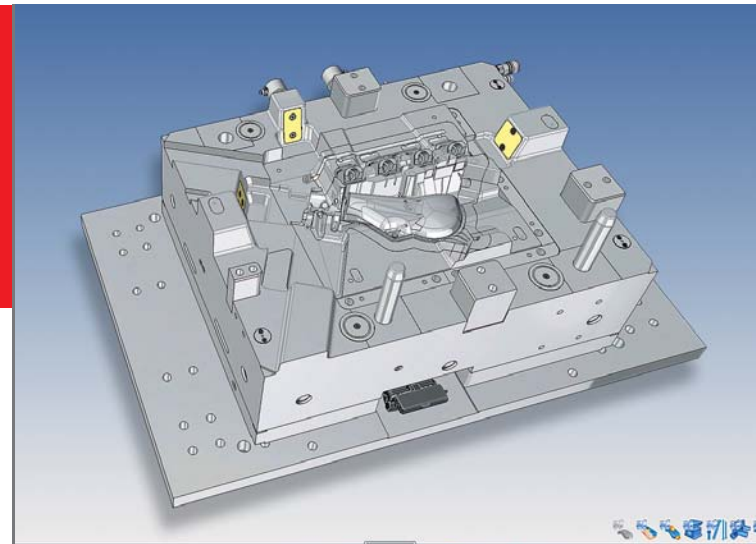
- > Automatic limitation of the baffle blades
- > Management of multi-part drilling
- > Dedicated display tools (show/hide parts and drilled holes)

## Library of standard components

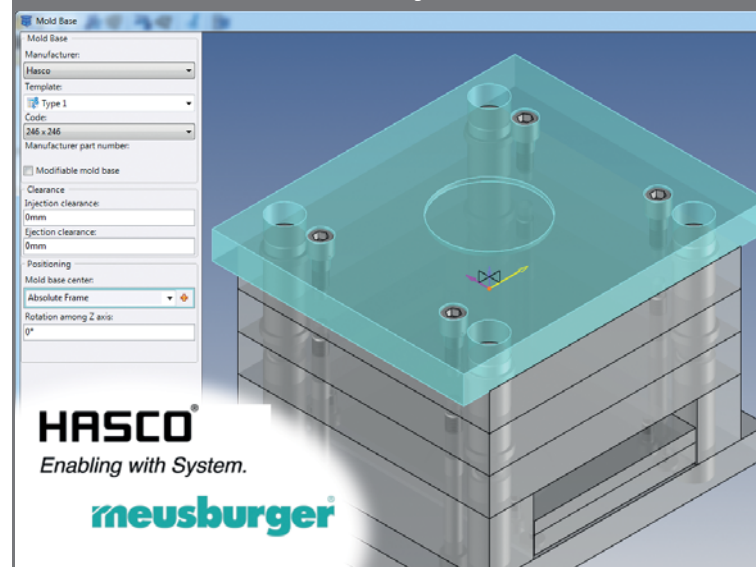
- > Integration of parts from Hasco, Meusburger, Rabourdin and DME Inches, with the corresponding intelligence (automatic sizing, machining processes)

## Mise en plan

- > Fully customizable «Tools» indexing rules (all screws indexed V1, V2, etc.)
- > Specific «Tools» parts list indexes to identify a component in several views



Automated creation of root faces and housings for added blocks.



**HASCO**  
Enabling with System.

**meusburger**

TopSolid'Mold includes libraries of smart manufacturer's standard components.

